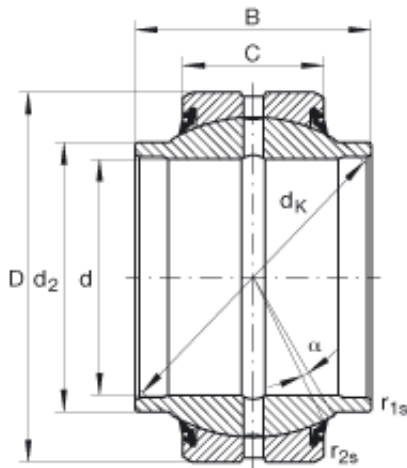




Spherco BEARING LTD



GE70-HO-2RS Bearing 2D drawings and 3D CAD models

INA GE70-HO-2RS Spherical Plain Bearings

Bearing No. GE70-HO-2RS

Size	70x105x65 mm
Bore Diameter	70 mm
Outer Diameter	105 mm
Width	65 mm
C	40 mm
$D_{a \min}$	87 mm
d_2	78 mm
d_k	92 mm
$r_{1s \min}$	0,3 mm
$r_{2s \min}$	1 mm
alf (°)	3
Weight (kg)	1,6
C_r (N)	313000
C_{Or} (N)	1560000
Category	Spherical Plain Bearings - Radial
Inventory	0.0
Manufacturer Name	SCHAEFFLER GROUP
Minimum Buy Quantity	N/A
Weight / Kilogram	3.592
EAN	4012802533880
Product Group	B04264
Self Aligning	Yes
Rolling Element	Spherical Plain
Material - Outer Member	Steel
Material - Ball	Steel



Spherco BEARING LTD

Material - Liner	Not Applicable
Relubricatable	Yes
Enclosure	2 Seals
Other Features	2 Piece Single Axial Split in Outer Ring Extended Inner Ring for Clevis Mount
Long Description	70MM Bore; 40MM Housing Width; 105MM Outside Diameter; Spherical Plain; Steel Outer Member; Steel Ball; No Liner; 65MM Overall Width; Relubricatable
Inch - Metric	Metric
Category	Plain Bearings Spherical Radial
UNSPSC	31171515
Harmonized Tariff Code	8483.30.80.70
Noun	Bearing
Keyword 3	Spherical
Keyword String	Plain Spherical Radial
Manufacturer URL	http://www.ina.com
Manufacturer Item Number	GE70HO2RS \$001
Weight / LBS	3.528
Overall Width	2.559 Inch 65 Millimeter
Outside Diameter	4.134 Inch 105 Millimeter
Bore	2.756 Inch 70 Millimeter
Housing Width	1.575 Inch 40 Millimeter