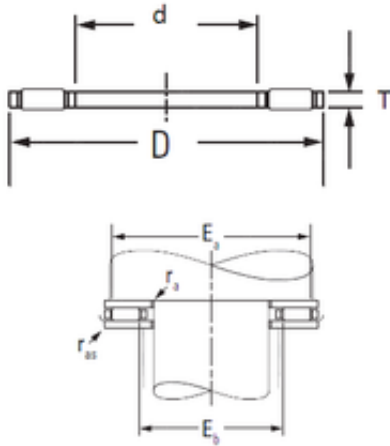




Spherco BEARING LTD

Koyo NRB FNT-5070 Needle Roller Thrust Bearings



Bearing No. FNT-5070

FNT-5070 Bearing 2D drawings and 3D CAD models

Size	50x70x3 mm
Bore Diameter	50 mm
Outer Diameter	70 mm
Width	3 mm
d	50 mm
D	70 mm
T	3 mm
ra max.	0.6 mm
Ea	68.0 mm
Eb	52.0 mm
Weight	0.026 Kg
Basic dynamic load rating (C)	37.9 kN
Basic static load rating (C0)	179.0 kN
Category	Thrust Roller Bearing
Inventory	0.0
Manufacturer Name	KOYO
Minimum Buy Quantity	N/A
Weight / Kilogram	0.03
EAN	0060579021608
Product Group	B04144
Rolling Element	Needle Roller Bearing
Self Aligning	No
Component Description	Roller Assembly Only
Thrust Bearing	Yes
Single or Double Direction	Single Direction



Spherco BEARING LTD

Banded	No
Cage Material	Steel
Precision Class	ABEC 1 ISO P0
Other Features	Single Row Two Piece Cage
Long Description	50MM Bore 1; 50MM Bore 2; 70MM Outside Diameter; 3MM Height; Needle Roller Bearing; Single Direction; Not Self Aligning; Not Banded; Steel Cage; ABEC 1 ISO P0; Roller Assembly Only
Inch - Metric	Metric
Category	Thrust Roller Bearings
UNSPSC	31171500
Harmonized Tariff Code	8482.99.25.40
Noun	Roller Assembly
Keyword String	Thrust Needle
Manufacturer URL	http://www.koyousa.com
Manufacturer Item Number	FNT-5070
Weight / LBS	0.057
Height	0.118 Inch 3 Millimeter
Bore 1	1.969 Inch 50 Millimeter
Bore 2	1.969 Inch 50 Millimeter
Overall Height with Aligning Washer	0 Inch 0 Millimeter
Outside Diameter	2.756 Inch 70 Millimeter
Bearing No.	FNT-5070
Dc1	50
Dc	70
Dw	3
Ca	37.9
C0a	179.0
Cu	19.1



Spherco BEARING LTD

Oil lub.	5900
ra(max)	0.6
(Refer.)Mass(kg)	0.026
D,d1	70
D1	52
h1	1.00 mm
Washer designation	AS5070
(Refer.)Mass(kg)	0.014
h	4.00 mm
a	1.00 mm
Washer designation	LS5070
(Refer.)Mass(kg)	0.0560
h	4.00 mm
rs(min)	0.60
Washer designation Shaft piloted	WS.81110
Washer designation Housing piloted	GS.81110
(Refer.)Mass(kg)	0.059